

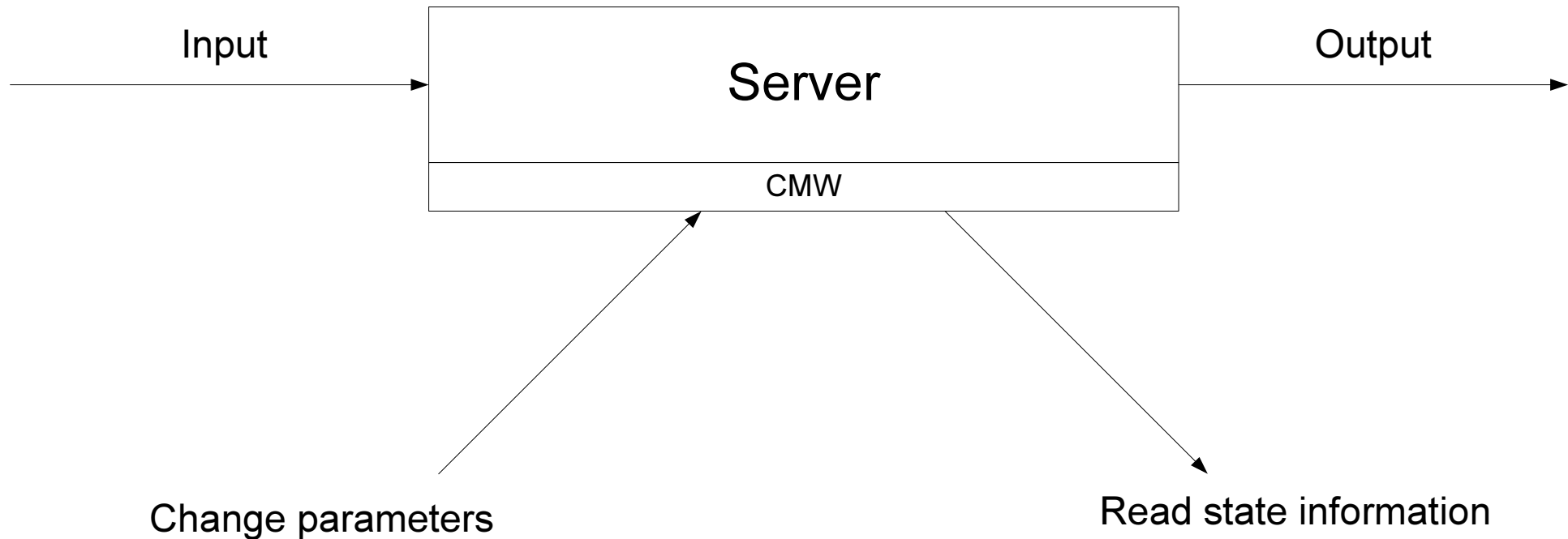
Orbit server overview

Setup information

```
INPUT_BPM_UDP  
DIGITAL_FILTER  
MATRIX_MULT  
OUTPUT_ROCS_UDP
```

Initial parameters

```
FILTER_COEFF=...  
MATRIX=...  
...
```



Current test setup

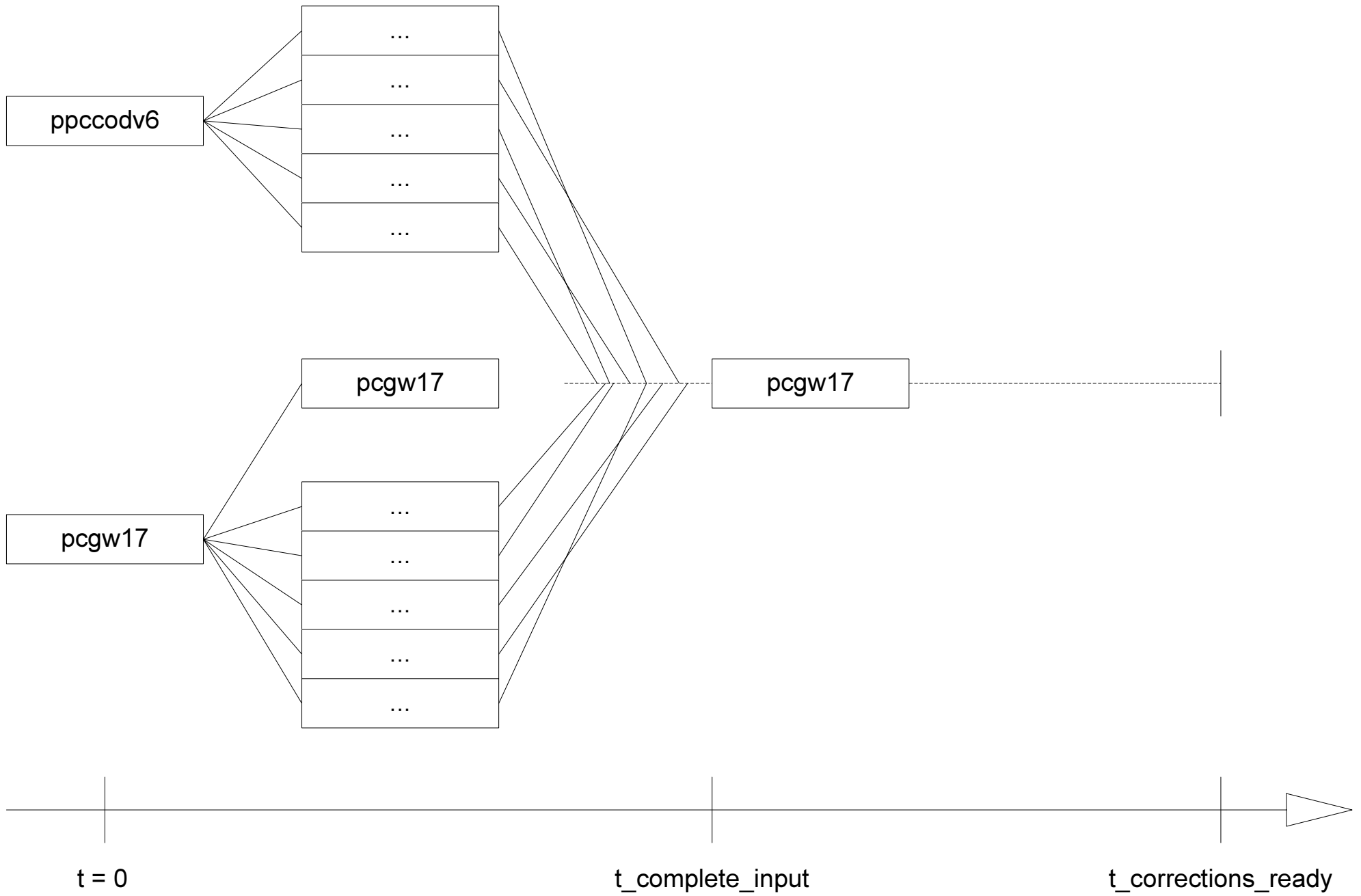
PCR

| LYNX 4 PPC | TIMING |
|------------|--------|
| LYNX 4 PPC | |
| LYNX 4 PPC | |
| LYNX 4 PPC | |
| LYNX 4 PPC | |

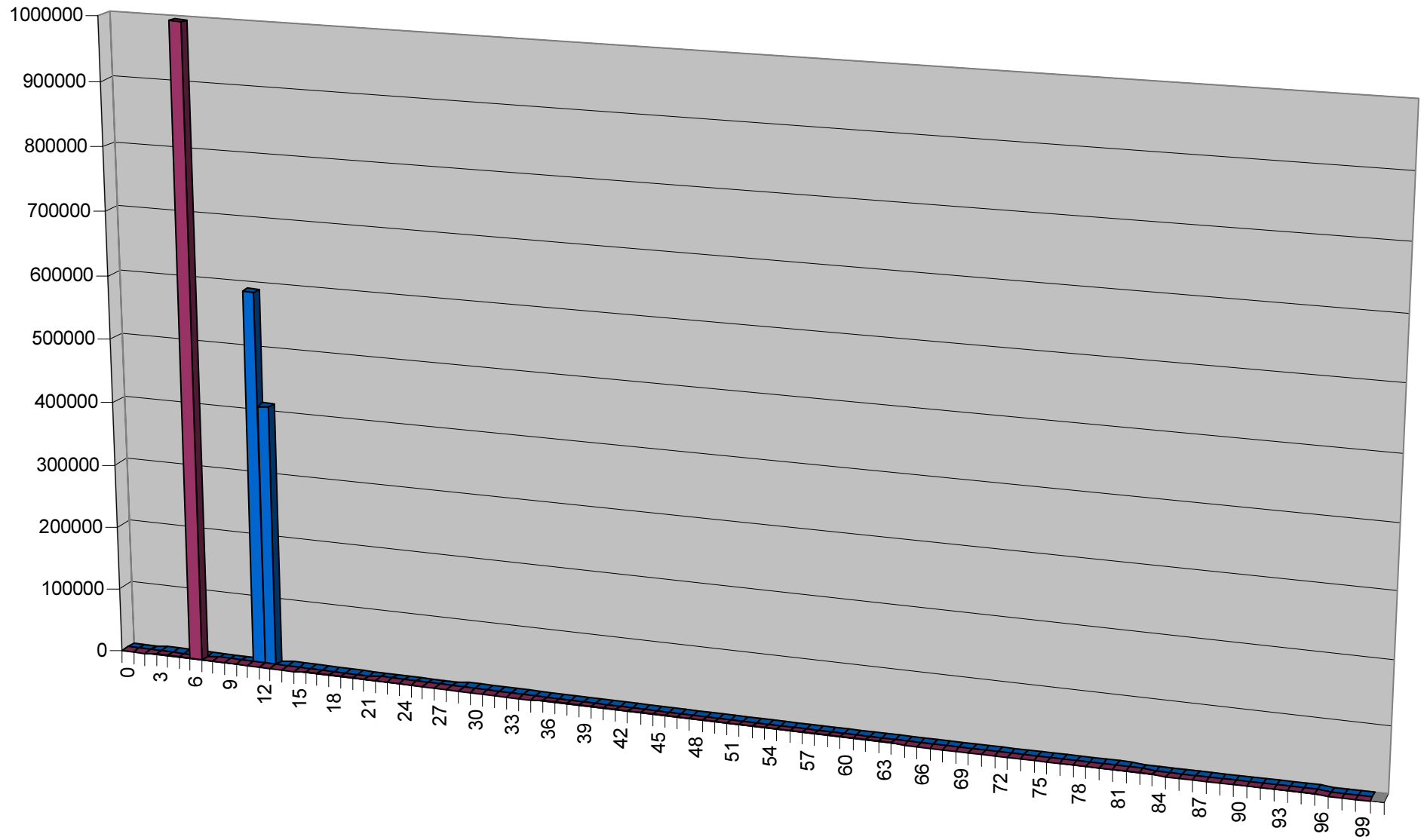
| LYNX 4 PC | TIMING |
|-----------|--------|
|-----------|--------|

Point 8

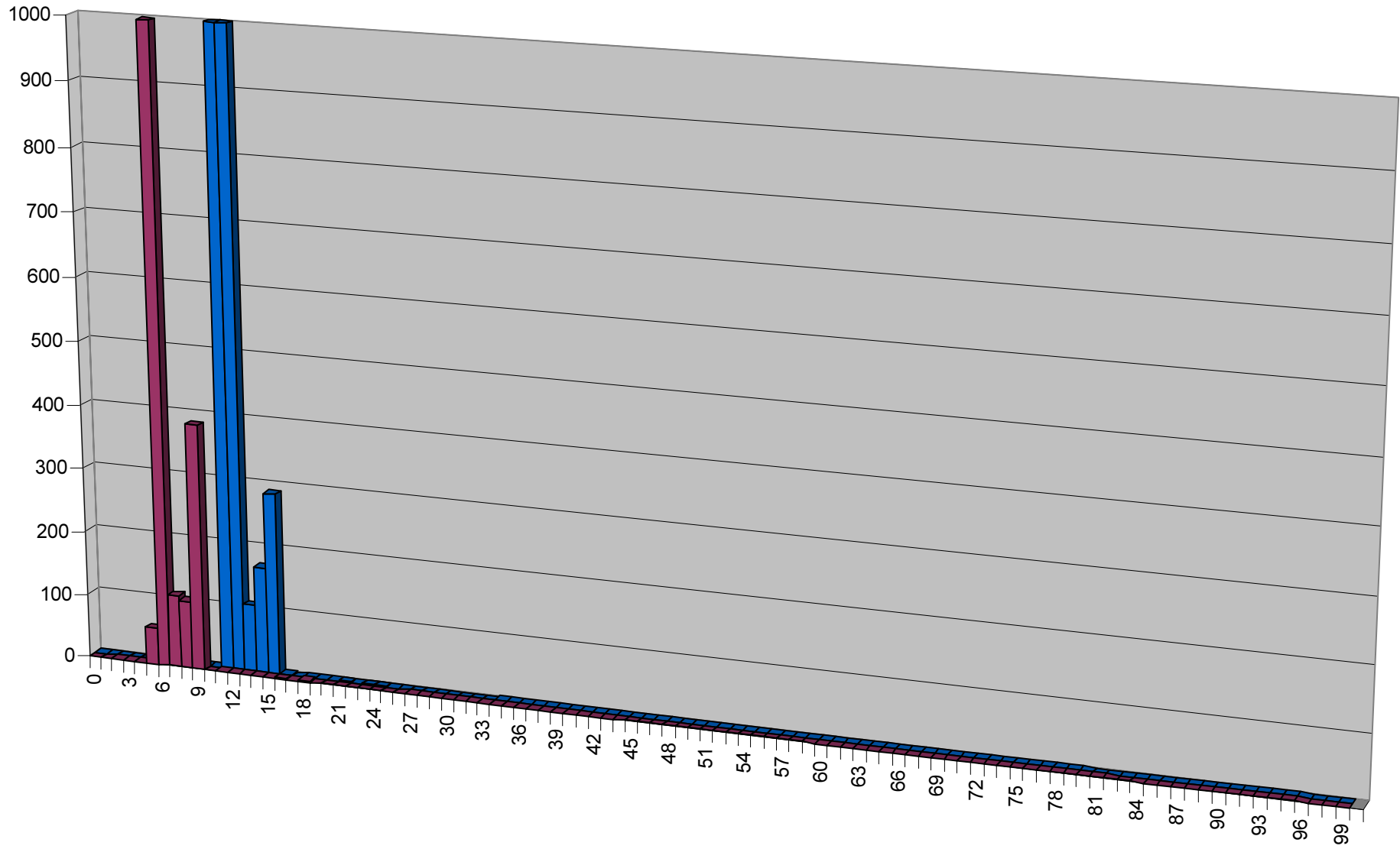
| LYNX 4 PPC | TIMING |
|------------|--------|
| LYNX 4 PPC | |
| LYNX 4 PPC | |
| LYNX 4 PPC | |
| LYNX 4 PPC | |



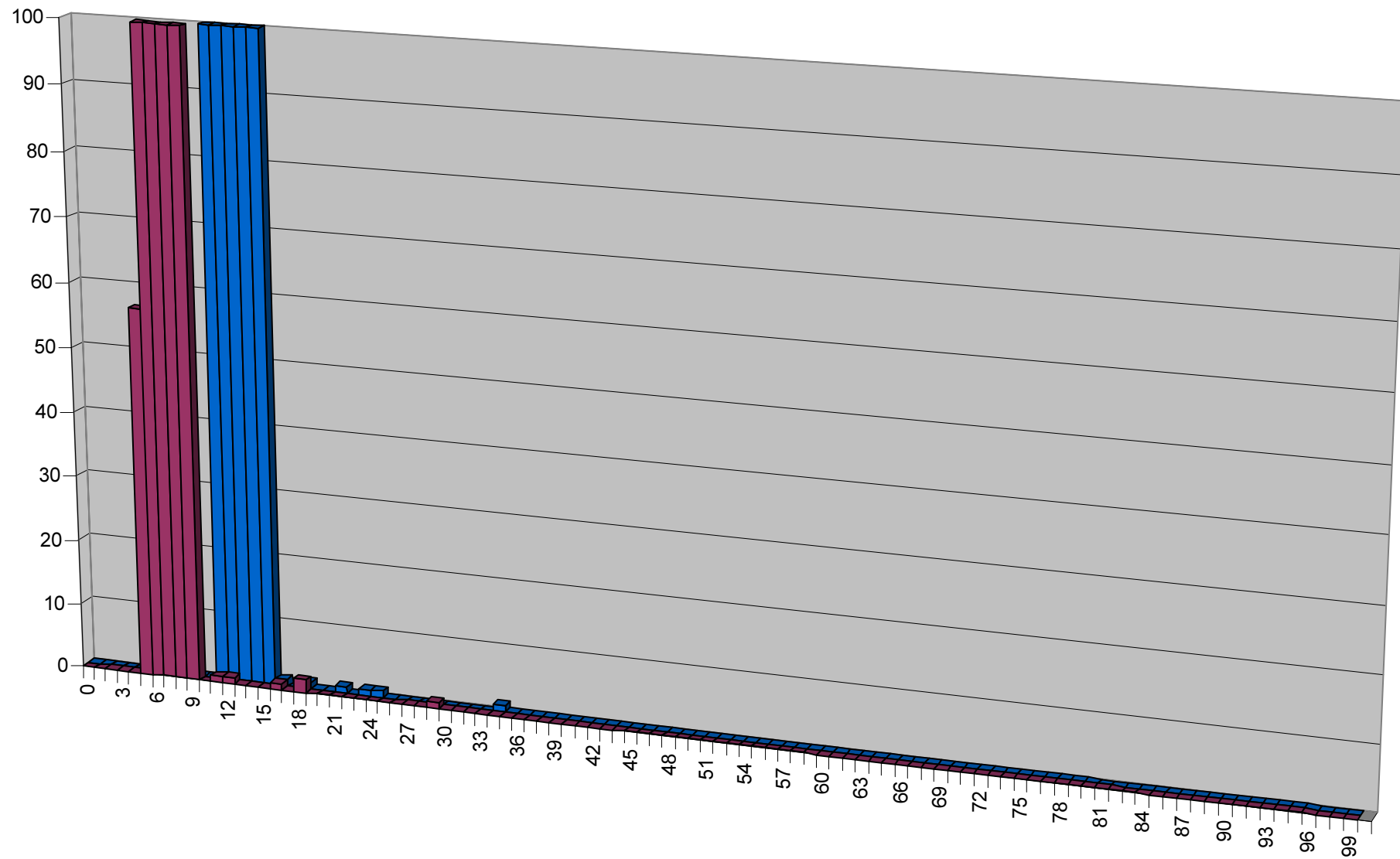
1M cycles; complete input, ready for output

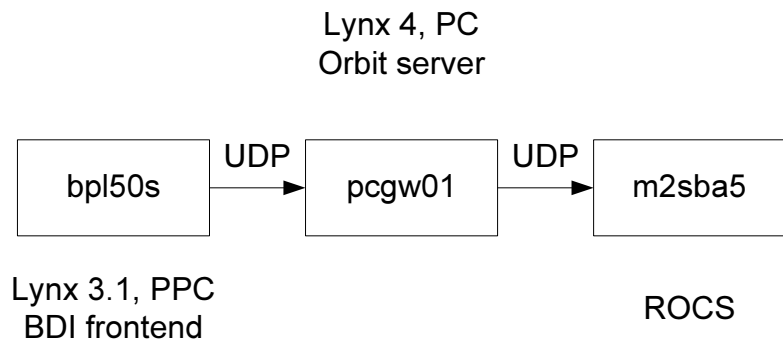


1M cycles; complete input, ready for output

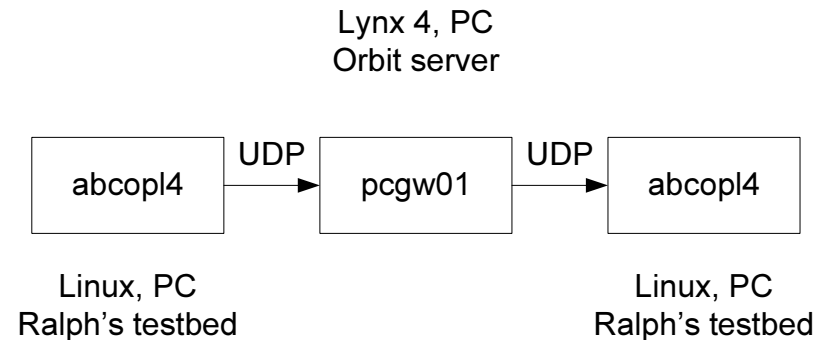


1M cycles; complete input, ready for output

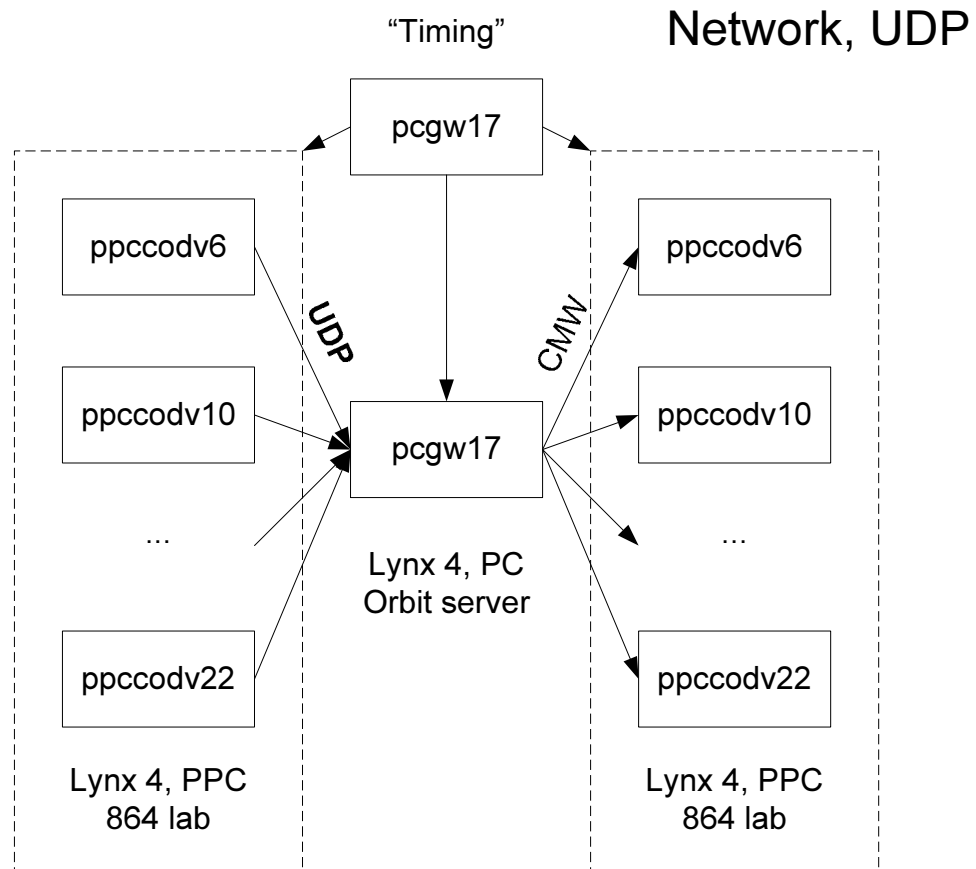




SPS



Simulation



Network, CMW

